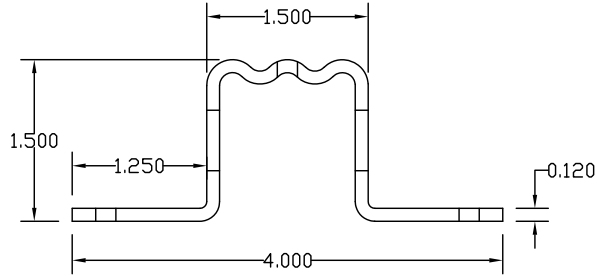
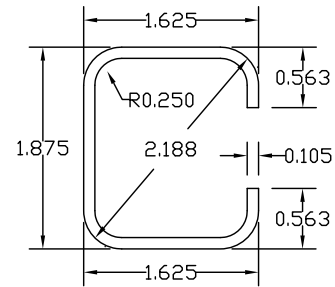


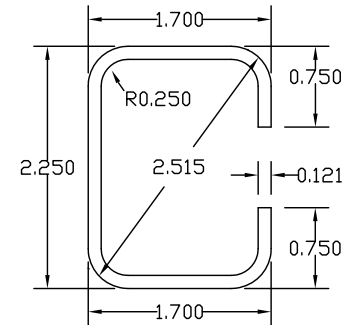
11 Ga H4"
 $F_y = 34$ ksi



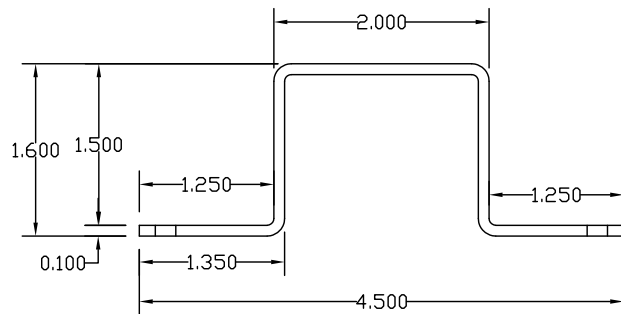
12 GA C1-7/8"
 ASTM F1043 Group II-L
 50 ksi Yield Strength



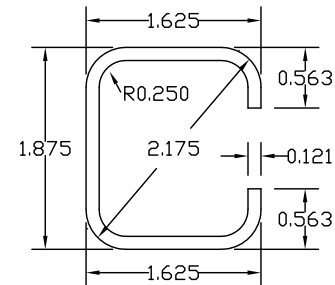
11 Ga C2-1/4"
 Group II ASTM F1043
 50 ksi Yield Strength



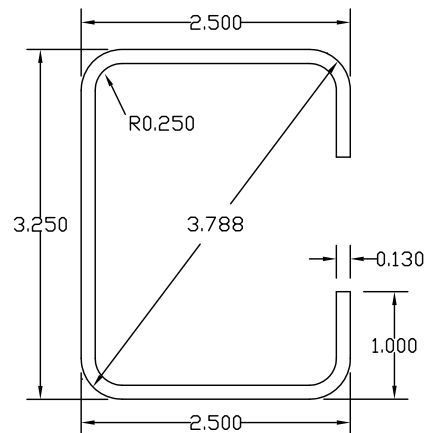
12 Ga H4-1/2"
 $F_y = 50$ ksi



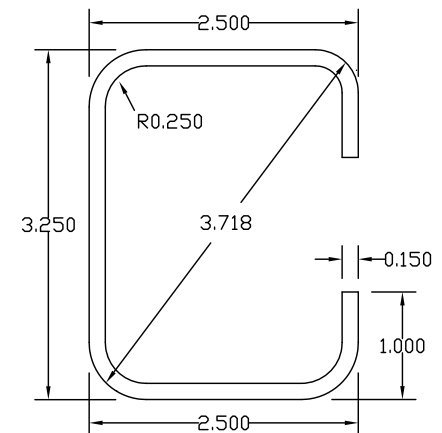
11 Ga C1-7/8"
 ASTM F1043 Group II
 50 ksi Yield Strength



10 Ga C3-1/4"
 ASTM F1043 Group II
 60 ksi Yield Strength



9 Ga C3-1/4"
 60 ksi Yield Strength



11 Ga H3-1/2"
 $F_y = 50$ ksi

